



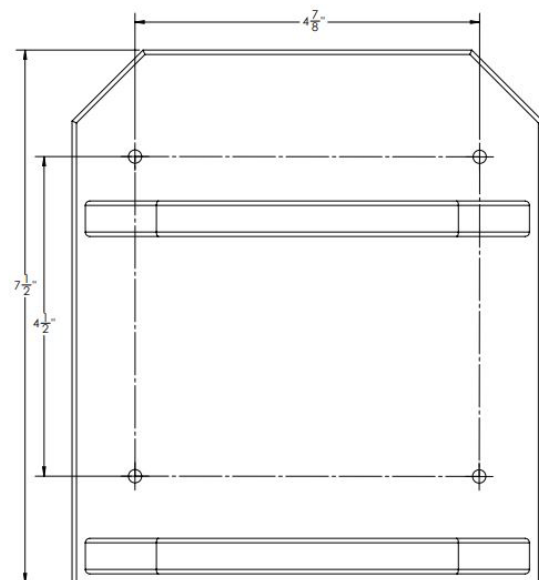
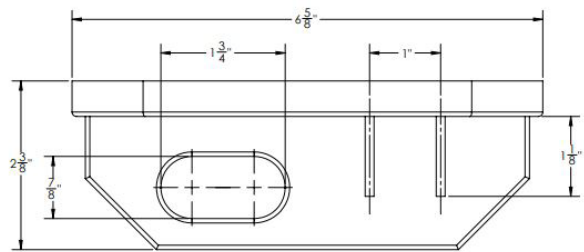
KNIFE & PLIER HOLDER



Convenience and organization of your onboard tools is critical. Our Knife & Plier Holder is a perfect safety accessory for your boat.

FEATURES & BENEFITS

- ▶ Holds a pair of pliers and 2 knives
- ▶ Includes stainless-steel mounting screws
- ▶ Made in the USA



w tacomarine.com | ph 800.653.8568 | e info@tacomarine.com



PART #	DESCRIPTION	WEIGHT	STD PK	UOM	UPC
P01-1000W	Knife Plier Holder	1.25 lbs.	12	EA	045038504724